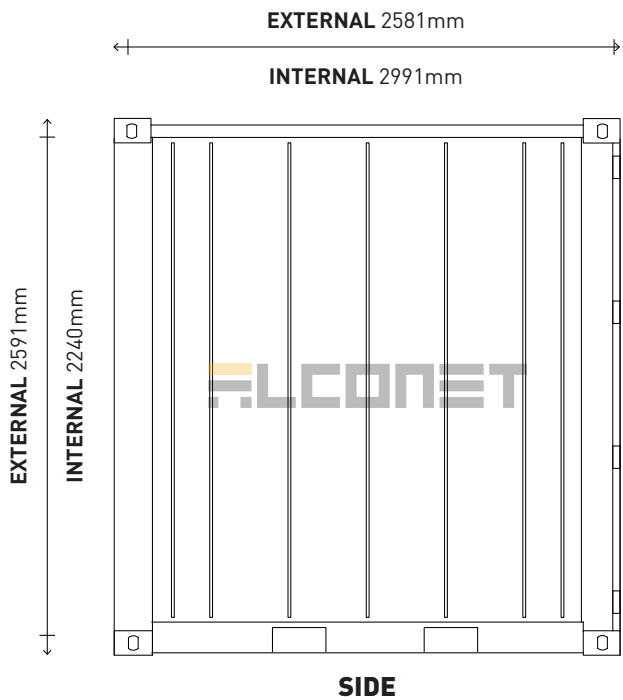
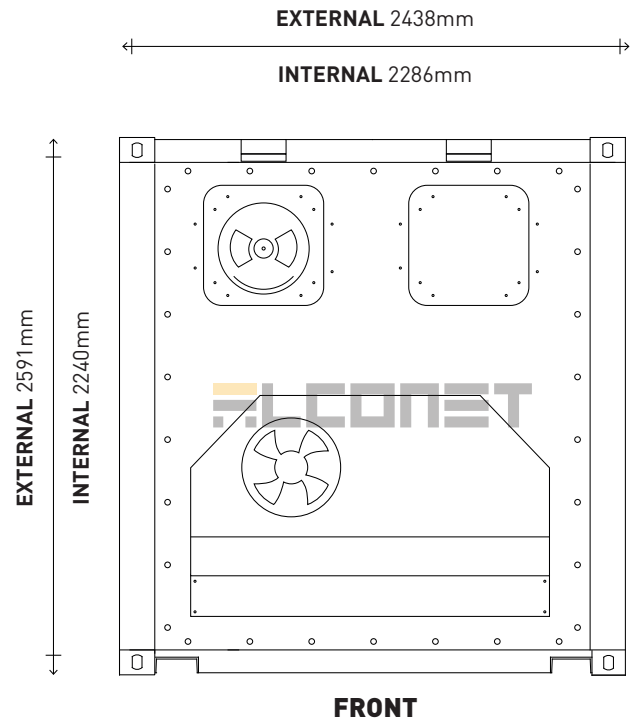
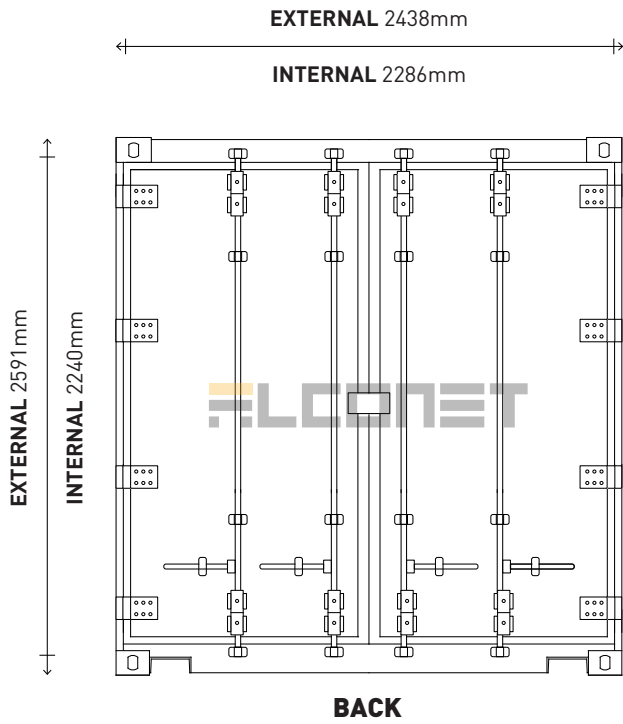


10FT REEFER CONTAINER NEW



SPECIFICATIONS

State	New
Certification	CSC
Material	Stainless Steel

WEIGHT

Max. load	28060kg
Max. weight	30480kg
Tare	2420kg

CONTACT US

E info@alconet.nl
T 0031 (0) 181 25 44 00