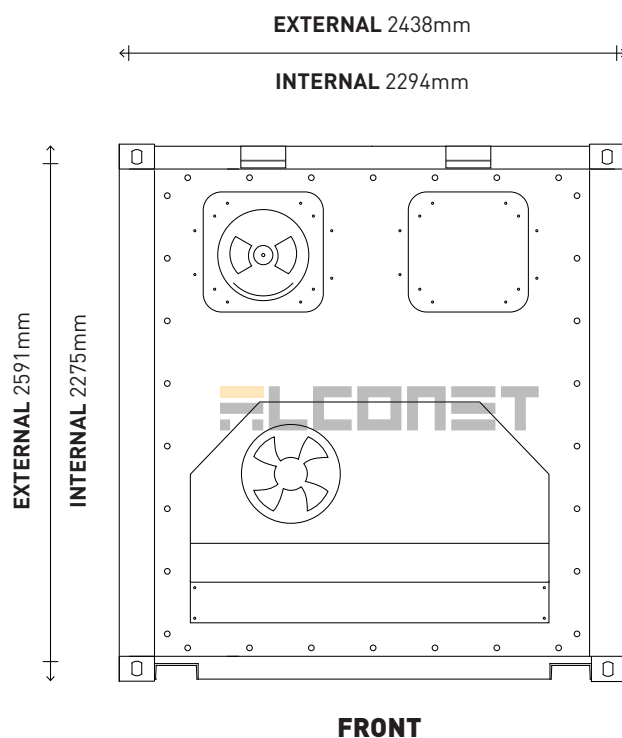
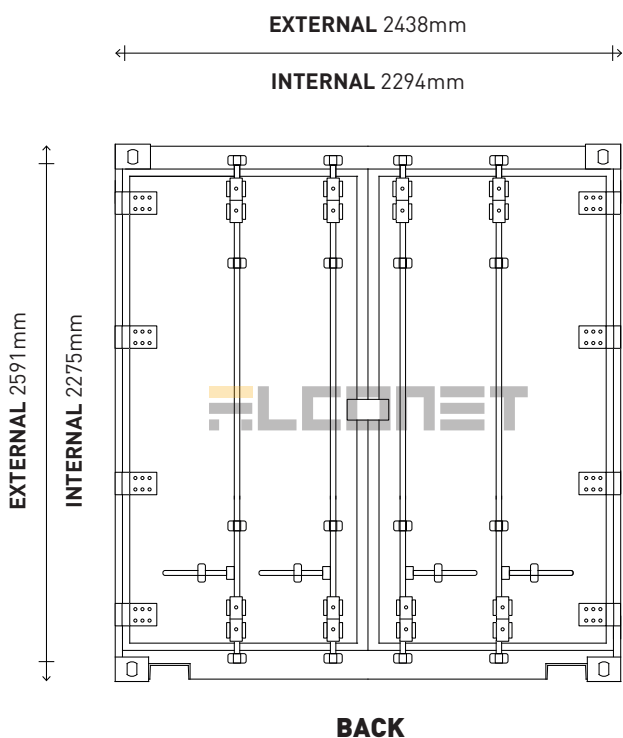


20FT REEFER CONTAINER NEW



SPECIFICATIONS

State	New
Certification	CSC / PTI
Material	Steel

WEIGHT

Max. load	30480kg
Max. weight	27540kg
Tare	2500kg

CONTACT US

E info@alconet.nl
 T 0031 (0) 181 25 44 00