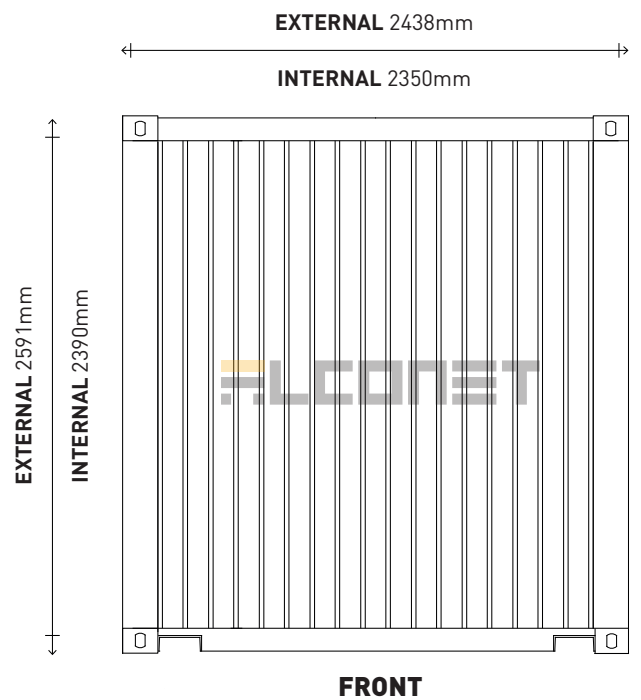
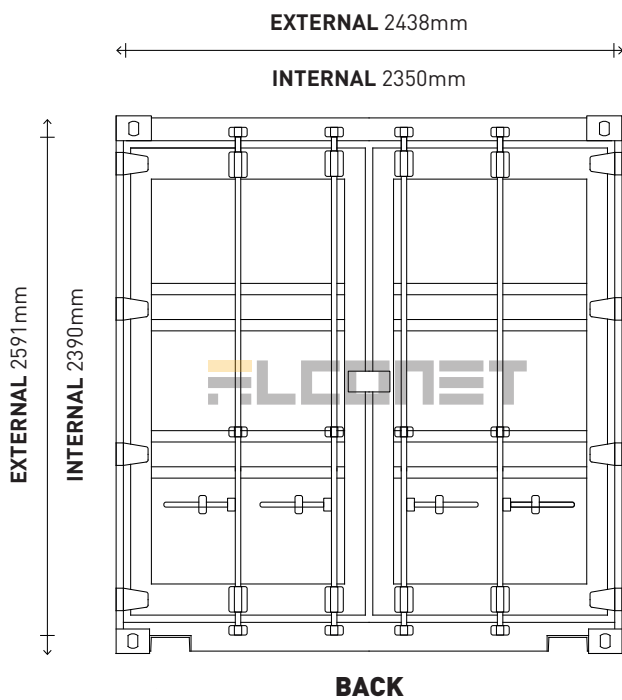
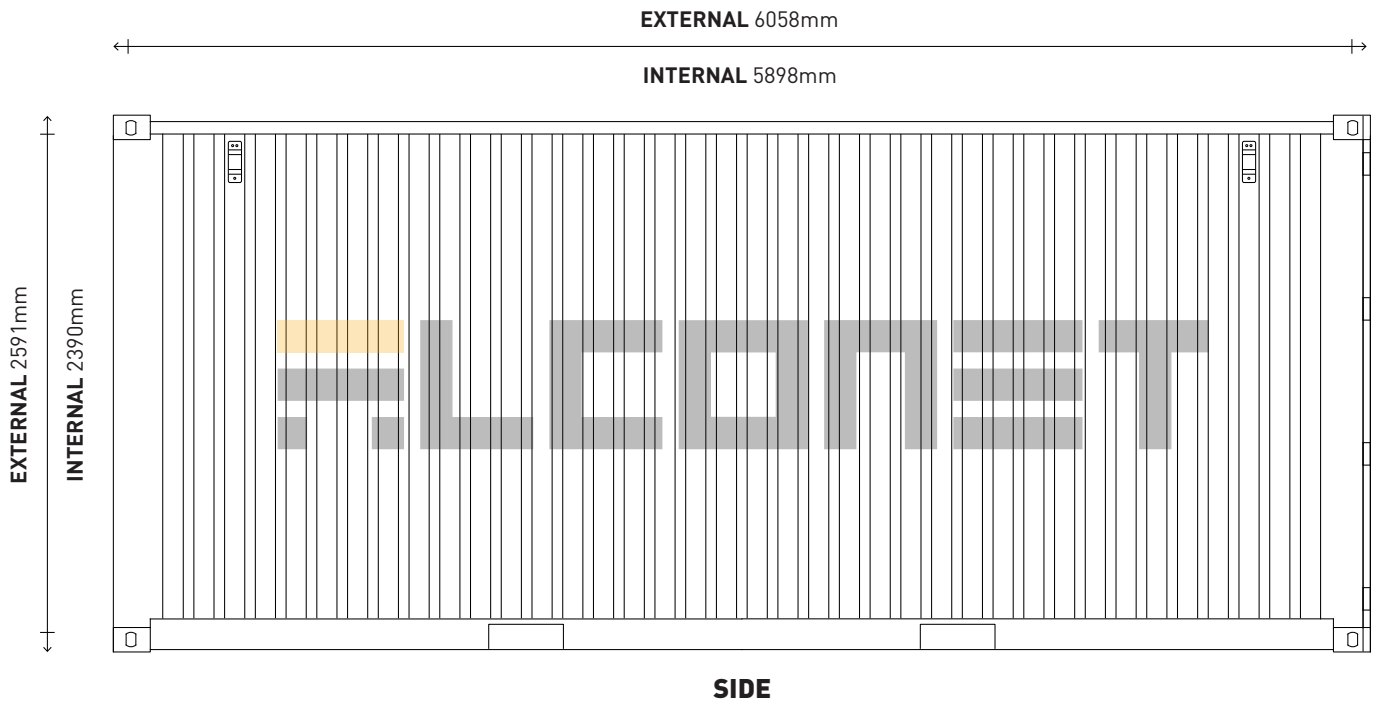


20FT SHIPPING CONTAINER B-QUALITY



SPECIFICATIONS

State	Used
Certification	CSC
Material	Steel

WEIGHT

Max. load	28300kg
Max. weight	30480kg
Tare	2180kg

CONTACT US

E info@alconet.nl
T 0031 (0) 181 25 44 00